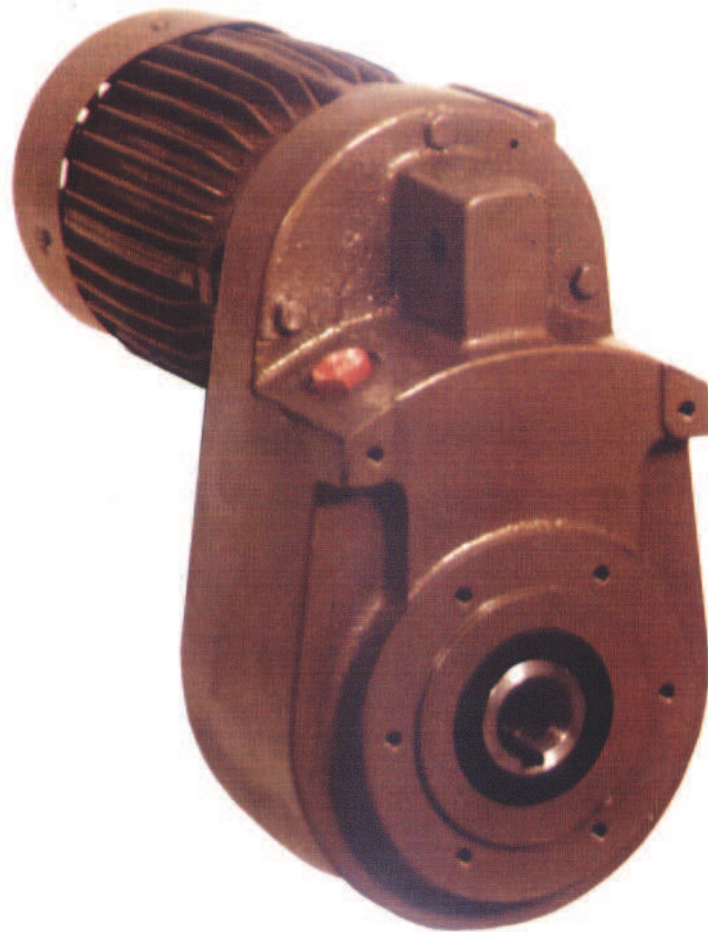


MOTO-REDUTORES
MOTORIZED GEARBOXES
TIPO UG / TYPE UG



MOTO-REDUCTOR

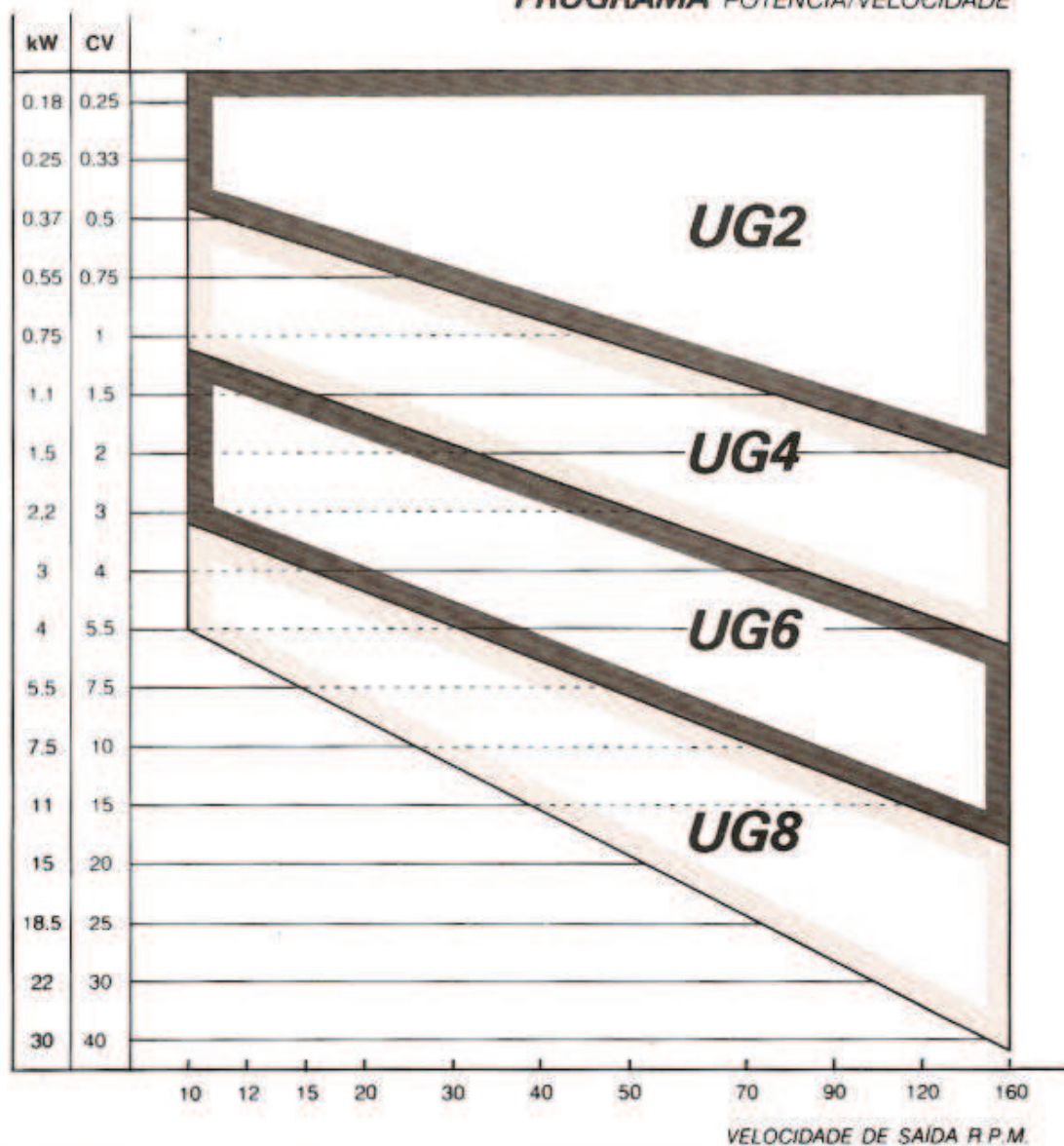
TIPO UG

- EIXOS PARALELOS
- FORMA ALONGADA
- ATRAVANCAMENTO REDUZIDO
- ECONOMIA DE ENERGIA
- ISENTO DE VIBRAÇÕES
- FUNCIÓNAMENTO SILENCIOSO

FACILIDADE DE ABSORÇÃO DO BINÁRIO DE REACÇÃO:

- POR PATILHA NO CARTER
- OU
- POR FLANGE ADICIONAL

PROGRAMA POTÊNCIA/VELOCIDADE



MOTO-REDUTORES Tipo UG

MOTORIZED GEARBOXES Type UG

POTENCIA POWER		VEL.SAIDA OUTPUT R.P.M.	RAZAO RATIO i	MOMENTO TORQUE M2 (Nm)	TIPO TYPE	N.FABRICO ORDER NUMBER
CV	KW					
0.25	0.18	10	67.25	170	801UG2/8	267018
		12	58.54	142	801UG2/8	258018
		14	67.25	122	711UG2/6	267016
		16	58.54	108	711UG2/6	258016
		18	53.51	96	711UG2/6	253016
		21	67.25	82	711UG2/4	267014
		24	58.54	71	711UG2/4	258014
		27	53.51	63	711UG2/4	253014
		29	33.56	59	711UG2/6	233016
		33	43.90	52	711UG2/4	243014
		39	36.70	44	711UG2/4	236014
		43	33.56	39	711UG2/4	233014
		51	28.45	33	711UG2/4	228014
		56	26.00	30	711UG2/4	226014
		63	23.15	27	711UG2/4	223014
		67	21.75	25	711UG2/4	221014
		85	17.05	20	711UG2/4	217014
		103	14.06	17	711UG2/4	214014
128	11.33	13	711UG2/4	211014		
162	8.92	10	711UG2/4	208014		
0.5	0.37	10	67.25	345	901UG2/8	267038
		12	58.54	286	901UG2/8	258038
		14	67.25	243	801UG2/6	267038
		16	58.54	212	801UG2/6	258036
		18	53.51	189	801UG2/6	253036
		21	67.25	162	711UG2/4	267034
		24	58.54	141	711UG2/4	258034
		27	53.51	126	711UG2/4	253034
		29	33.56	117	801UG2/6	233036
		33	43.90	52	711UG2/4	233034
		39	36.70	87	711UG2/4	236034
		43	33.56	79	711UG2/4	233034
		51	28.45	67	711UG2/4	228034
		56	26.00	61	711UG2/4	226034
		63	23.15	54	711UG2/4	223034
		67	21.75	50	711UG2/4	221034
		85	17.05	40	711UG2/4	217034
		103	14.06	34	711UG2/4	214034
128	11.33	26	711UG2/4	211034		
162	8.92	20	711UG2/4	208034		

MOTO-REDUTORES Tipo UG

MOTORIZED GEARBOXES Type UG

POTENCIA POWER		VEL.SAIDA OUTPUT R.P.M.	RAZAO RATIO i	MOMENTO TORQUE M2 (Nm)	TIPO TYPE	N.FABRICO ORDER NUMBER
CV	KW					
0.75	0.55	10	69.55	515	901UG4/8	469048
		12	58.54	429	901UG2/8	258048
		14	67.25	368	801UG2/6	267046
		16	58.54	322	801UG2/6	258046
		18	53.51	286	801UG2/6	253046
		21	67.25	245	801UG2/4	263044
		24	58.54	215	801UG2/4	258044
		27	53.51	190	801UG2/4	253044
		29	33.56	178	801UG2/4	233046
		33	43.90	156	801UG2/4	243044
		39	36.70	132	801UG2/4	236044
		43	33.56	120	801UG2/4	233044
		51	28.45	101	801UG2/4	228044
		56	26.00	92	801UG2/4	226044
		63	23.15	82	801UG2/4	223044
		67	21.75	77	801UG2/4	221044
		85	17.05	61	801UG2/4	217044
		103	14.05	50	801UG2/4	214044
128	11.33	40	801UG2/4	211044		
162	8.92	32	801UG2/4	208044		
1	0.75	10	69.55	680	100.1UG4/8	469058
		12	58.15	567	100.1UG4/8	458058
		16	58.54	425	90.1UG2/6	258056
		18	53.17	378	901UG4/6	453056
		21	67.25	324	801UG2/4	267054
		24	58.54	283	801UG2/4	258054
		27	53.51	252	801UG2/4	253054
		33	43.90	206	801UG2/4	243054
		39	36.70	174	801UG2/4	236054
		43	33.56	158	801UG2/4	233054
		51	28.45	133	801UG2/4	228054
		56	26.00	121	801UG2/4	226034
		63	23.15	108	801UG2/4	223054
		67	21.75	101	801UG2/4	221054
		85	17.05	80	801UG2/4	217054
		103	14.05	66	801UG2/4	214054
		128	11.33	53	801UG2/4	211054
		162	8.92	42	801UG2/4	208054

MOTO-REDUTORES Tipo UG

MOTORIZED GEARBOXES Type UG

POTENCIA POWER		VEL.SAIDA OUTPUT R.P.M.	RAZAO RATIO i	MOMENTO TORQUE M2 (Nm)	TIPO TYPE	N.FABRICO ORDER NUMBER
CV	KW					
1.5	1.1	7	97.0	1472	100.1UG6/8	697068
		10	97.0	1030	90.1UG6/6	697066
		13	69.55	793	90.1UG4/6	469066
		16	58.15	644	901UG4/6	458066
		20	69.55	515	901UG4/4	469064
		24	58.54	429	901UG2/4	258064
		27	53.17	381	901UG4/4	453064
		32	43.86	322	901UG4/4	443064
		39	36.70	264	901UG2/4	236064
		51	28.45	202	901UG2/4	228064
		63	23.15	163	901UG2/4	223064
		67	21.75	153	901UG2/4	221064
		85	17.05	121	901UG2/4	217064
		103	14.06	100	901UG2/4	214064
		128	11.33	84	901UG2/4	211064
162	8.92	64	901UG2/4	208064		
2	1.5	7	97	1960	1121UG6/8	697078
		10	97	1370	1001UG6/6	697076
		13	53.17	1050	1121UG4/8	453078
		16	58.15	856	1121UG4/6	758076
		20	69.55	685	901UG4/4	469074
		25	58.15	548	901UG4/4	458074
		27	53.15	507	901UG4/4	453074
		32	43.86	428	901UG4/4	443074
		39	36.67	350	901UG4/4	436074
		41	34.4	334	901UG4/4	434074
		48	29.6	285	901UG4/4	429074
		51	27.9	268	901UG4/4	427074
		61	23.28	224	901UG4/4	423074
		67	21.75	205	901UG2/4	221074
		85	17.05	160	901UG2/4	217074
		103	14.06	133	901UG2/4	214074
		128	11.33	07	901UG2/4	211074
162	8.92	85	901UG2/4	208074		

MOTO-REDUTORES Tipo UG

MOTORIZED GEARBOXES Type UG

POTENCIA POWER		VEL.SAIDA OUTPUT R.P.M.	RAZAO RATIO i	MOMENTO TORQUE M2 (Nm)	TIPO TYPE	N.FABRICO ORDER NUMBER
CV	KW					
3	2.2	7.5	99.06		1321UG8/8	899088
		10	97.0	2040	1121UG6/6	697086
		12	76.43	1700	1121UG6/6	676086
		15	97.0	1360	1001UG6/4	697084
		18	76.43	1130	1001UG6/4	676084
		25	58.15	816	1001UG4/4	458084
		29	48.90	703	1001UG4/4	648084
		34	40.24	600	1001UG4/4	640084
		39	36.67	523	1001UG4/4	436084
		48	29.6	425	1001UG4/4	429084
		61	23.28	335	1001UG4/4	423084
		78	18.33	260	1001UG4/4	418084
		96	14.80	212	1001UG4/4	414084
		119	11.99	172	1001UG4/4	411084
152	9.37	134	1001UG4/4	409084		
4	3	10	99.06	2750	1321UG8/6	899096
		12	63.37	2290	1321UG8/8	863098
		15	97.0	1830	1001UG6/4	697094
		18	76.43	1528	1001UG6/4	676094
		23	61.71	1195	1001UG6/4	661094
		29	48.90	948	1001UG6/4	648094
		35	40.24	786	1001UG6/4	640094
		39	36.67	705	1001UG4/4	636094
		45	31.88	610	1001UG6/4	631094
		48	29.6	573	1001UG4/4	429094
		61	23.28	450	1001UG4/4	423094
		78	18.33	353	1001UG4/4	418094
		96	14.8	286	1001UG4/4	414094
		119	11.99	231	1001UG4/4	411094
152	9.37	180	1001UG4/4	409094		
5.5	4	10	99.06	3780	1321UG8/6	899106
		12	53.37	3150	1602UG8/8	863108
		15	99.06	2520	1121UG8/4	899104
		19	50.57	1990	1321UG8/6	850106
		23	61.71	1650	1121UG6/4	661104
		29	48.90	1300	1121UG6/4	648104
		35	40.24	1080	1121UG6/4	640104
		45	31.88	840	1121UG6/4	631104
		56	25.43	675	1121UG6/4	625104
		78	18.33	485	1121UG4/4	418104
		96	14.80	395	1121UG4/4	414104
		119	11.99	318	1121UG4/4	411104
		152	9.37	250	1121UG4/4	409104

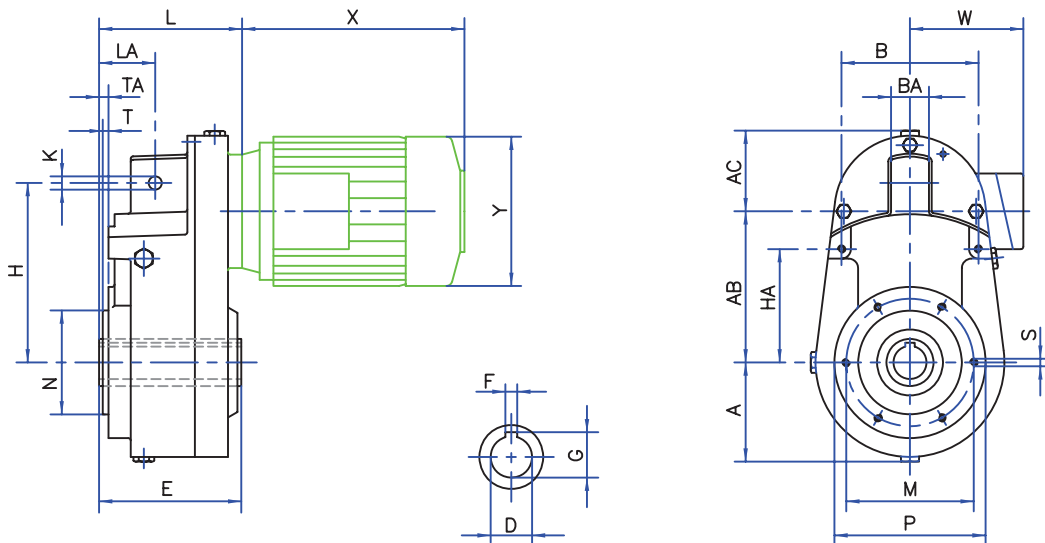
MOTO-REDUTORES Tipo UG

MOTORIZED GEARBOXES Type UG

POTENCIA POWER		VEL.SAIDA OUTPUT R.P.M.	RAZAO RATIO i	MOMENTO TORQUE M2 (Nm)	TIPO TYPE	N.FABRICO ORDER NUMBER
CV	KW					
7.5	5.5	15	99.06	3450	1321UG8/4	899114
		23	63.37	2240	1321UG8/4	863114
		28	50.57	1840	1321UG8/4	850114
		35	40.24	1470	1321UG6/4	640114
		45	31.88	1145	1321UG6/4	631114
		56	25.43	920	1321UG6/4	625114
		70	20.53	736	1321UG6/4	620114
		80	18.14	645	1321UG6/4	618114
		100	14.40	515	1321UG6/4	614114
		125	11.49	412	1321UG6/4	611114
		159	9.09	324	1321UG6/4	609114
10	7.5	28	50.57	2455	1321UG8/4	850124
		35	41.33	1965	1321UG8/4	841124
		41	35.30	1680	1321UG8/4	835124
		45	31.88	1530	1321UG8/4	631124
		56	25.43	1230	1321UG6/4	625124
		70	20.53	982	1321UG6/4	620124
		80	18.14	860	1321UG6/4	618124
		100	14.40	690	1321UG6/4	614124
		125	11.49	550	1321UG6/4	611124
		159	9.07	432	1321UG6/4	609124
15	11	41	35.30	2515	1602UG8/4	835134
		52	27.87	1985	1602UG8/4	827134
		63	22.96	1640	1602UG8/4	822134
		80	18.14	1290	1602UG6/4	618134
		100	14.40	1030	1602UG6/4	614134
		125	11.49	825	1602UG6/4	611134
		159	9.07	650	1602UG6/4	609134

MOTO-REDUTORES Tipo-UG

MOTORIZED-GEARBOXES Type-UG



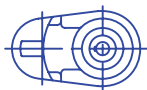
TIPO TYPE	A	AB	AC	B	BA	D H7	E	F	G	H	HA	K	L	LA	M	N j6	P	S	T	TA	W	X	Y
UG2/71M													137								100	215	142
UG2/80M													147								120	240	158
UG2/90S	100	160	80	145	40	35	144	10	38,4	190	120	14	157	55	130	110	160	M8 X 15	3,5	5,5	126	255	178
UG2/90L													157								126	280	178
UG4/80M													175								120	240	158
UG4/90S													185								126	255	178
UG4/90L	125	215	100	175	50	42	184	12	45,2	252	165	20	185	68	165	130	200	M10 X 20	3,5	6,5	126	280	178
UG4/100L													195								138	305	194
UG4/112M													195								155	332	220
UG6/90S													212								126	255	178
UG6/90L													212								126	280	178
UG6/100L													222								138	305	194
UG6/112M	162	290	130	220	60	55	225	16	58,9	340	220	25	222	85	215	180	250	M12 X 25	4	8	155	332	220
UG6/132S													242								176	382	262
UG6/132M													242								176	420	262
UG6/160M													272								234	491	316
UG8/100L													244								138	305	194
UG8/112M													244								155	332	220
UG8/132S	200	380	150	240	60	70	260	20	74,7	440	300	25	264	110	265	230	300	M12 X 25	4	8	176	382	262
UG8/132M													264								176	420	262
UG8/160M													294								234	491	316
UG8/160L													294								234	536	316

POSIÇÕES DE MONTAGEM

MOUNTING POSITION



H1



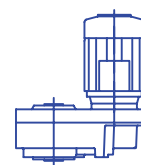
H2



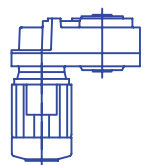
H3



H4



V1



V2